



RS-PI12LA01

Long Range UHF Integrated Reader

RS-PI12LA01

Long Range UHF Integrated Reader



RS-PI12LA01 long range UHF integrated reader with built in 12dBi antenna, reading 12m, portable and user-friendly, is widely used in asset tracking, production line, warehouse, logistic management, vehicle and personal management.

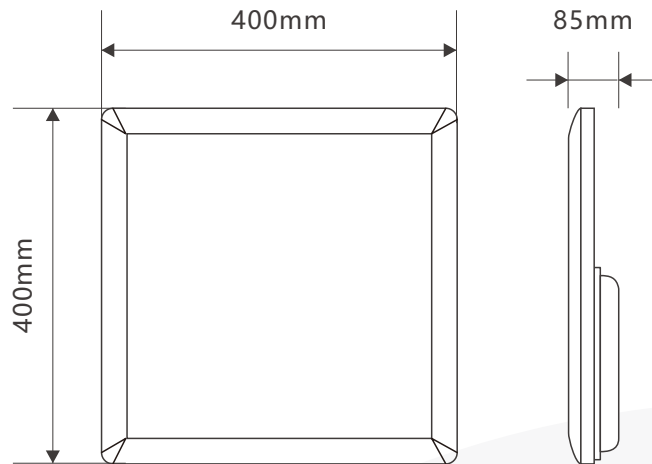
Functions

- 902-928Mhz FCC, 866-868Mhz CE, equipped with 12dBi linear antenna
- Build in Linux OS, Indy R2000 RFID Chip, fast and accurate reading rate
- PoE optional
- Multi-reader operating under intensive environment
- Upgrade firmware online

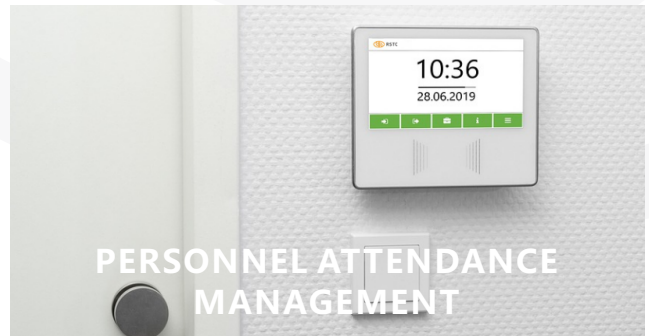
RS-PI12LA01 Long Range UHF Integrated Reader

Product Dimensions

Any discrepancy, please defer to the real product instead.



Application



RS-PI12LA01




Long Range UHF Integrated Reader

Specification

UHF	
RF Protocol	EPC Global UHF Class 1 Gen2 / ISO18000-6C
Engine	Base on Impinj R2000 RFID chip
Frequency	902~928MHz, 865~868MHz
Operation Mode	FHSS / Fixed frequency
Antenna Gain	Built-in 12dBi linear polarization antenna
Power Output	+20dBm ~ +30dBm@50Ω load, 1dBm each step
Communication Port	RS-232, 10M/100M Ethernet interfaces
Optional Interfaces	RS-485, Wiegand 26/34
IO Port	Two group relay output or two group level detection input is optional
Reading Range	0~15m (depends on antenna and tag type)
Writing Range	0-5m (depends on antenna and tag type)
Supported Regions	China, Korea, Malaysia, Japan US, Canada and other regions following U.S. FCC Europe and other regions following ETSI EN 302 208
Mechanical & Electrical Performance	
Power	DC 12V/3ADC 12V Input, PoE optional External power adapter (150 ~ 240V / 50Hz AC input and DC outputting 12V / 3A); POE optional
Power Assumption	2W(Standby), 10W(Working)
Dimension	400×400×85mm
Weight	3.5kg
Material	ABS Industrial casing
Work Temperature	-40°C ~ +75°C
Storage Temperature	-40°C ~ +80°C
IP Rate	IP67



RuiSing Technology Company (Hong Kong) Limited

 www.rstc-hk.com  +86-755-2692 2853  sales@rstc-hk.com

 **HONGKONG** Unit D16/F, One Capital Place, 18 Luard Road, Wan Chai

 **SHENZHEN** 9/F, Xinjing Mansion, Xinqu Blvd, Longhua District

